

8 7 6 5 4 3 2 1

Part No. _____

F

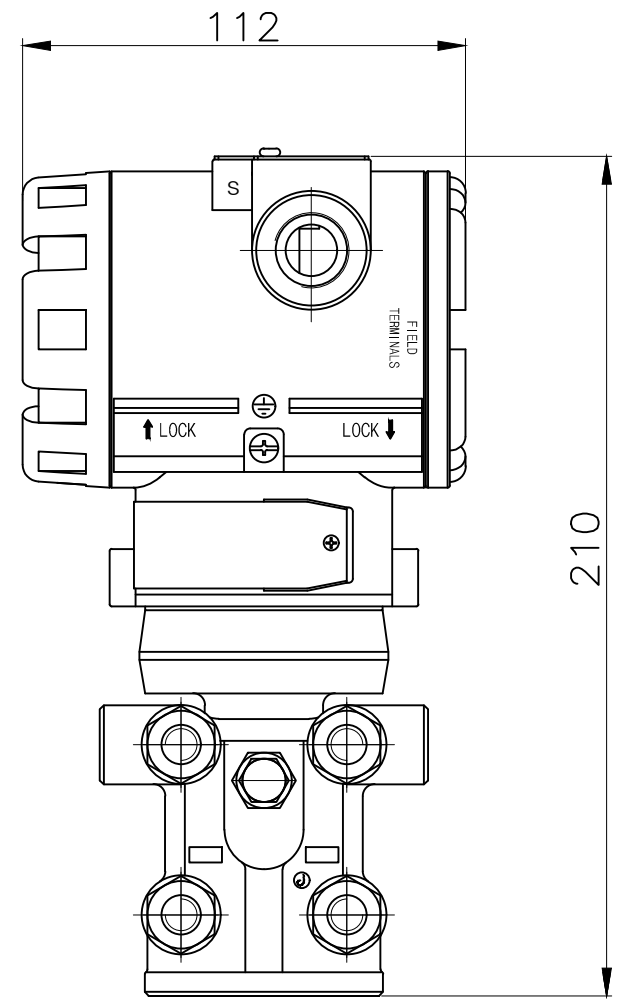
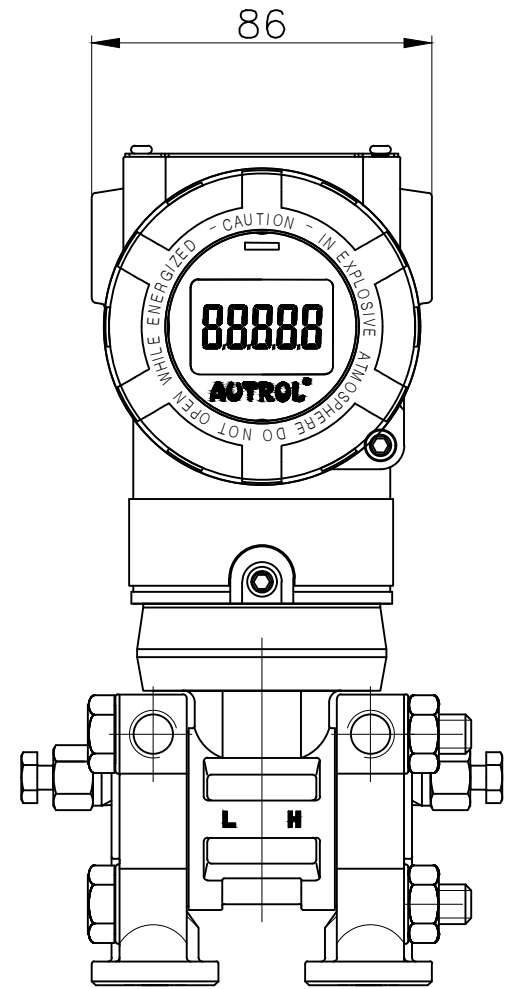
E

D

C

B

A



| | | | | | | | | | | | | | | | | | | | | | |
|------------------------------------|-------------|--|--|------|------|-------|------|-------|------|---|---------|----------|-----------|-------------|---|--------------|---|-------------------------|---|--------|--------|
| AUTROL DUON System Co.,Ltd. | | | | | | | | | | | | | | | | | | | | | |
| | | | | | | | | | | TITLE Smart Pressure Transmitter APT3500(BC) Outline Dimension | | | | | | | | | | | |
| | | | | | | | | | | GENERAL TOLERANCE | | Size A3 | | Scale NS | | Unit mm | | DWG No. MD-ASS-3500-501 | | Rev. 0 | |
| | | | | | | | | | | RANGE | 0.5-6 | 7-30 | 31-120 | | | | | | | | |
| | | | | | | | | | | TOL. | ±0.1 | ±0.2 | ±0.3 | | | | | | | | |
| | | | | | | | | | | RANGE | 121-315 | 316-1000 | 1001-2000 | | | | | | | | |
| | | | | | | | | | | TOL. | ±0.5 | ±0.8 | ± 1 | | | | | | | | |
| Rev. | Description | | | Dwg. | Date | Chk'd | Date | App'd | Date | TOL. | ±0.5 | ±0.8 | ± 1 | Elec. Class | - | Safety Class | - | Sei. Cat. | - | Sheet | 1 of 1 |

8 7 6 5 4 3 2 1