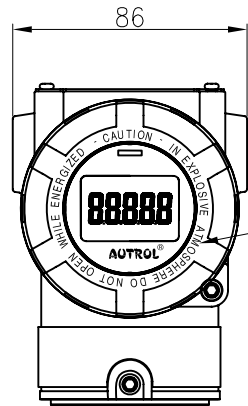


8 7 6 5 4 3 2 1

Part No.

NOTE

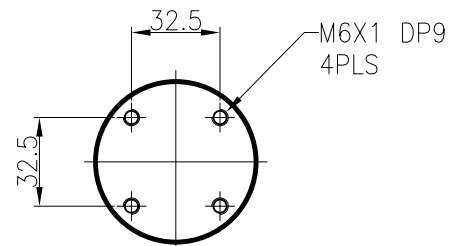
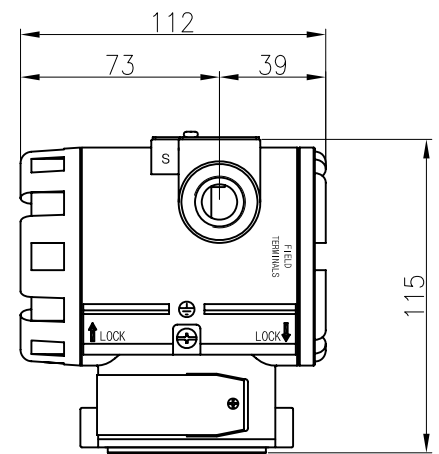
1. Housing/Front Cover/Rear Cover
Material : CF8M



Electric Connection
 1:1/2-14NPT(F)
 2:G1/2

Optional
 None
 Digital Indicator

Optional
 None
 1:1/2-14NPT(F)
 2:G1/2



AUTROL® DUON System Co.,Ltd.

				Dwg.		GENERAL TOLERANCE			TITLE ATT2100 Outline Dimension					
				Chk'd		RANGE	0.5-6	7-30	31-120	Size	Scale	DWG No.		Rev.
				Chk'd		TOL.	±0.1	±0.2	±0.3	A3	1:2	2100-OLD-100		0
				App'd		RANGE	121-315	316-1000	1001-2000	Unit	mm	File No.	Sheet	1 of 1
Rev.	Description	Chk'd	Date	App'd		TOL.	±0.5	±0.8	± 1					

8 7 6 5 4 3 2 1