

Part No. \_\_\_\_\_

**AUTROL** DUON System Co.,Ltd.

								GENERAL TOLERANCE			TITLE Smart Pressure Transmitter APT3500 HS - DP OUTLINE DIMENSION					
								RANGE	0.5-6	7-30	31-120	Size	Scale	DWG No.	Rev.	
0	First Issue	JHS	13.09.24	JHH	13.09.24	CJK	13.09.24	RANGE	121-315	316-1000	1001-2000	A3	1:1	EX-MD-ASS-3500-HDP	0	
Rev.	Description	Dwg.	Date	Chk'd	Date	App'd	Date	TOL.	±0.5	±0.8	± 1	Unit	mm	File No.	Sheet	1 of 1

8 7 6 5 4 3 2 1

F F

E E

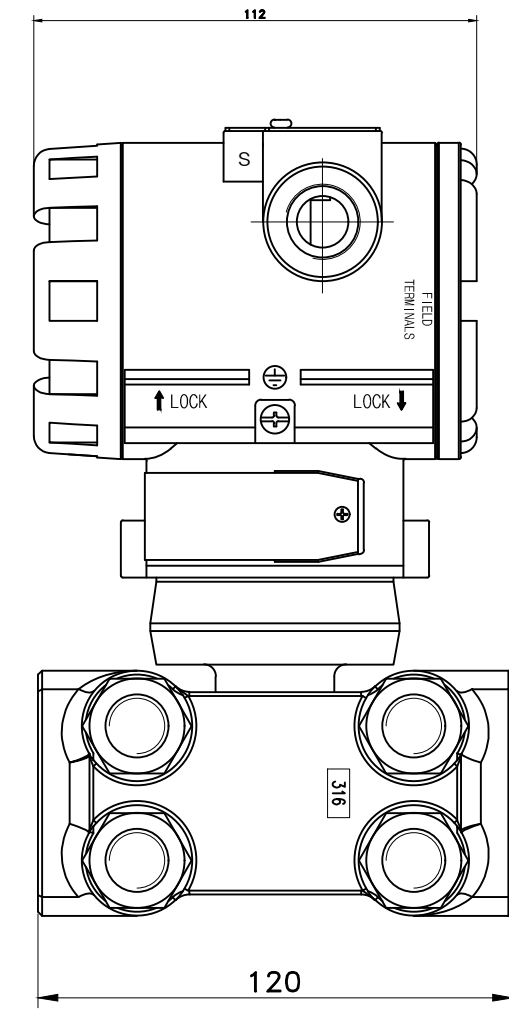
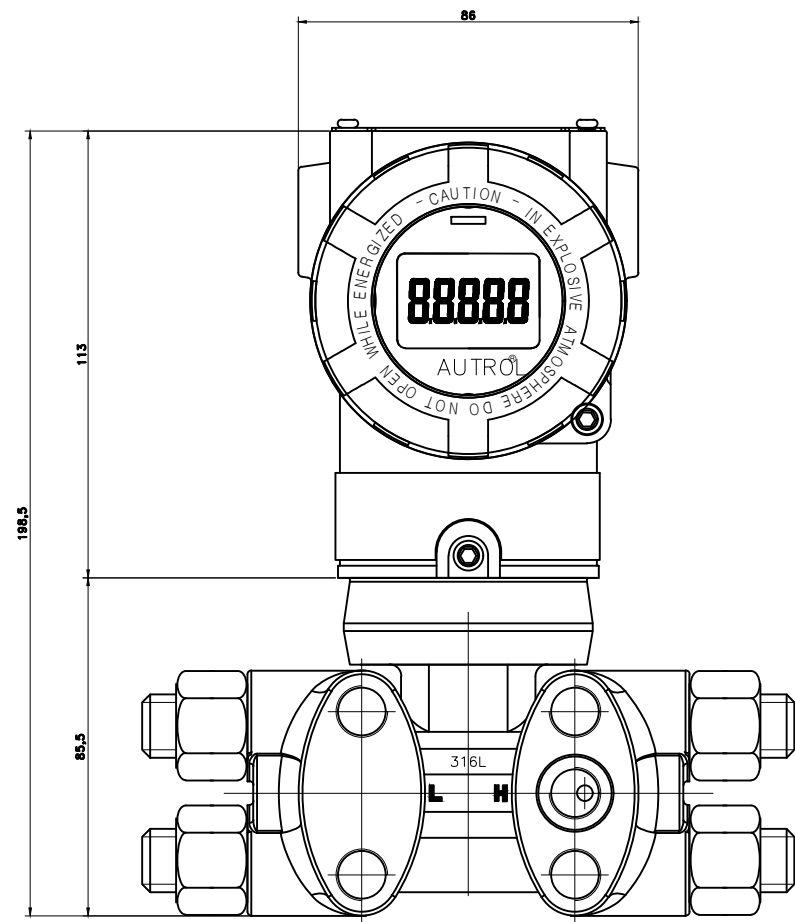
D D

C C

B B

A A

Part No. \_\_\_\_\_



										GENERAL TOLERANCE				TITLE Smart Presssure Transmitter APT3500 HS - GP OUTLINE DIMENSION				
										RANGE	0.5-6	7-30	31-120	Size	Scale	DWG No.		Rev.
										TOL.	±0.1	±0.2	±0.3	A3	1:1	EX-MD-ASS-3500-HGP		0
										RANGE	121-315	316-1000	1001-2000	Unit	mm	File No.	Sheet	1 of 1
										TOL.	±0.5	±0.8	± 1	Unit	mm	File No.	Sheet	1 of 1
0	First Issue	JHS	13.09.24	JHH	13.09.24	CJK	13.09.24											
Rev.	Description	Dwg.	Date	Chk'd	Date	App'd	Date											

**AUTROL** DUON System Co.,Ltd.

8 7 6 5 4 3 2 1