



AI 100

Smart Field Indicator



INDICATOR



www.autroltransmitters.com

Flow | Level | Temperature | Pressure | Valves | Analyzers | Accessories | TekValSys

AI-100

Autrol Field Indicator

Overview

Autrol Field Indicator, Model AI-100, is an Indicator for converting and displaying received 4 to 20 mA current input to set range.

The Indicator is available to indicate 5 digit numbers, 6 digit letters and 4 type special symbols on LCD.

It has main functions such as Displaying 4 to 20mA current, Easy Configuration, Changing Square Root function and User Define Units.

AI-100 does not need separated power and it operates loop-powered 4 to 20mA.

The minimum operating current is 3.6 mA and maximum operating voltage is 2 Vdc.

User define function, E-Unit (Engineering Unit), can modify the unit letters that user wants to indicate on LCD as well as basic selectable units.



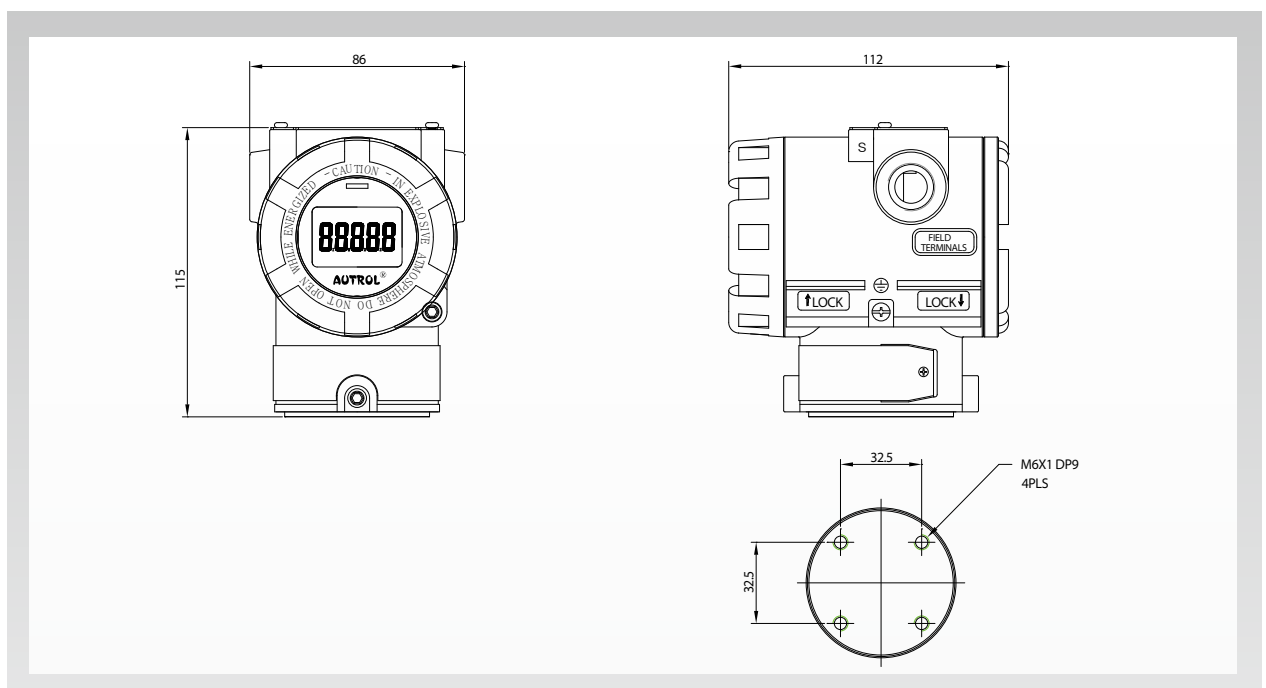
Features

- » Intuitive & Logical Interface
- » 4 ~ 20mA Loop Power
- » LCD Display
- » Low Voltage Drop
- » User Interface (2 Button)
- » Flexible Wide Range. (-99999 to 99999)
- » Easy Calibration
- » User Define Units, Modified Various Units

Applications

- » Remote Monitoring with 4~20mA input
- » Chemical, Steel, Paper, Thermal
- » Oil & Gas
- » Petro-chemical, Water treatment plants
- » Connect with all Autrol series for APT3100, APT3200, ATT2100, ALT6100 series.

Dimension



AI-100

Autrol Field Indicator

Technical Specifications

- ▣ **Range**
 - » Input Signal Range
 - 4 to 20 mA nominal
 - » Operating Range
 - 3.4 to 24 mA
- ▣ **Maximum overload Current**
 - 100mA
- ▣ **Voltage drop**
 - 1.5Vdc Typical, 2.0 Vdc Maximum
- ▣ **Indication range**
 - -99999 ~ 99999
 - 5 digit + 1 Sign(-)
 - 7-segment characters.
- ▣ **Temperature Limits**
 - » Storage
 - -40 to +85°C (-40 to +185°F)
 - » Operating
 - -20 to +70°C (-4 to +158°F)
- ▣ **Relative humidity**
 - 100%RH
- ▣ **Update time**
 - Sensor Update Time 0.75 sec
 - Display Update Time 1.5 sec
- ▣ **Resolution**
 - ± 0.02%
- ▣ **Accuracy**
 - ±0.2% of Calibrated span(16mA)

Define Unit

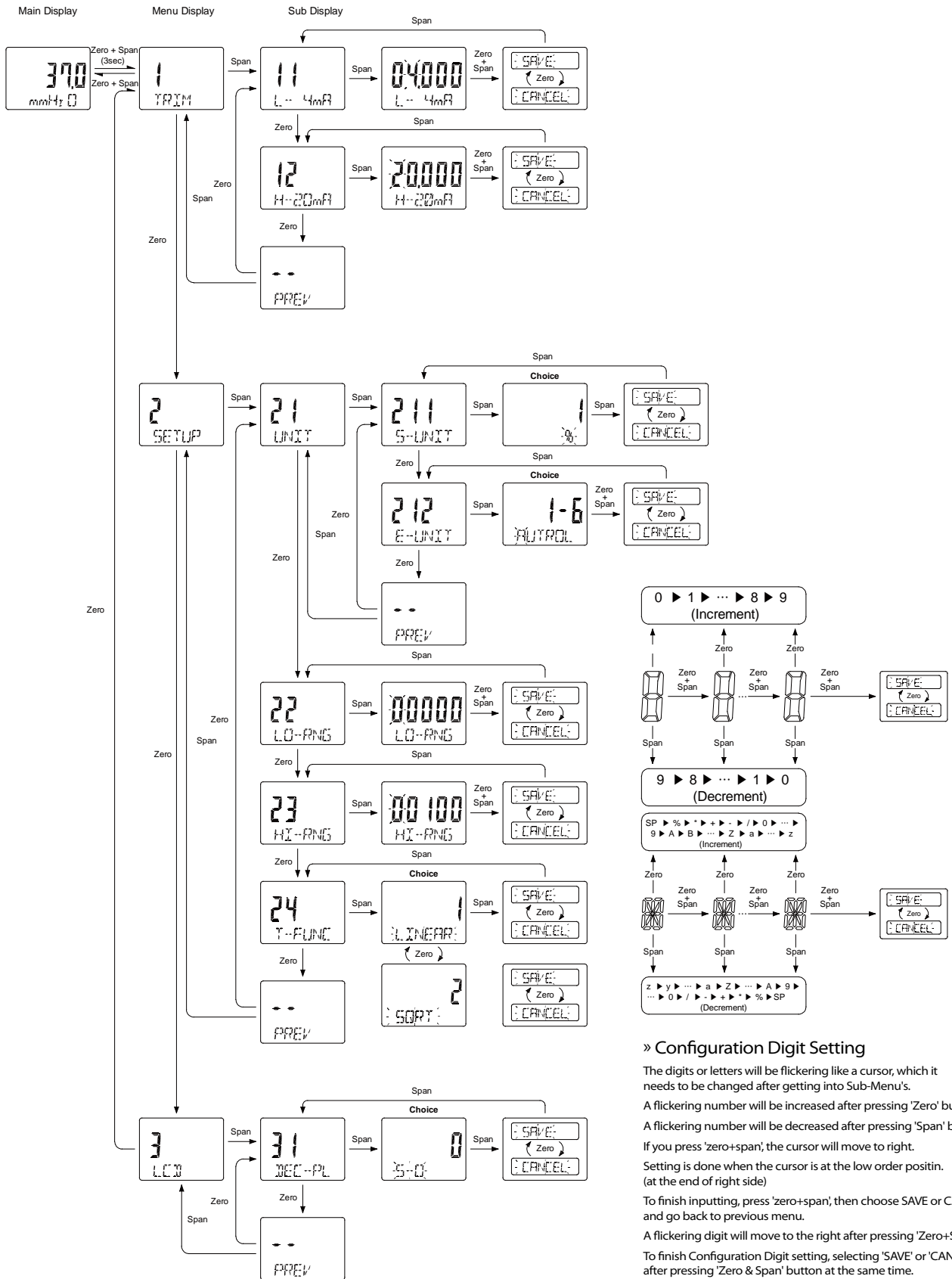
Num	Display_Unit	Num	Display_Unit
01	%	21	ft ³ /m
02	mA	22	Gal/m
03	V	23	l/m
04	Ohm	24	lGal/m
05	cnt	25	m ³ /h
06	lnHzO	26	Gal/S
07	lnHg	27	MGal/d
08	FtHzO	28	l/S
09	mmHzO	29	l/d
10	mmHg	30	ft ³ /S
11	PSI	31	ft ³ /d
12	BAR	32	m ³ /S
13	mBAR	33	m ³ /d
14	g/cm ²	34	lGal/h
15	Kg/cm ²	35	lGal/d
16	PA	36	°C
17	KPA	37	°F
18	MPA	38	°R
19	TORR	39	K
20	ATM	40	NONE

Ordering Information

ITEM	Code	Description
Electrical Connection	1	1/2 - 14 NPT
	2	G1/2 (Adapter)
	X	Special
Harzard Location Certification	K0	Maker Standard (IP67)
	K1	Korea Approval (KC) Flameproof
	K2*	Korea Approval (KC) Intrinsic Safety
	E1*	ATEX Flameproof
	E2*	ATEX Intrinsic Safety
	F1*	FM Flameproof
	F2*	FM Intrinsic Safety
Units	<input type="checkbox"/> <input type="checkbox"/>	01 ~ 40 (Refer. to "Define Units")
Options	ST	Stainless steel Housing
	BA	Stainless steel bracket (Angle type) with SUS Bolt & Nuts
	BF	Stainless steel bracket (Flat type) with SUS Bolt & Nuts

Note: "*" before order.

Menu Configurations



» Configuration Digit Setting

The digits or letters will be flickering like a cursor, which it needs to be changed after getting into Sub-Menus.

A flickering number will be increased after pressing 'Zero' button.

A flickering number will be decreased after pressing 'Span' button.

If you press 'zero+span', the cursor will move to right.

Setting is done when the cursor is at the low order position. (at the end of right side)

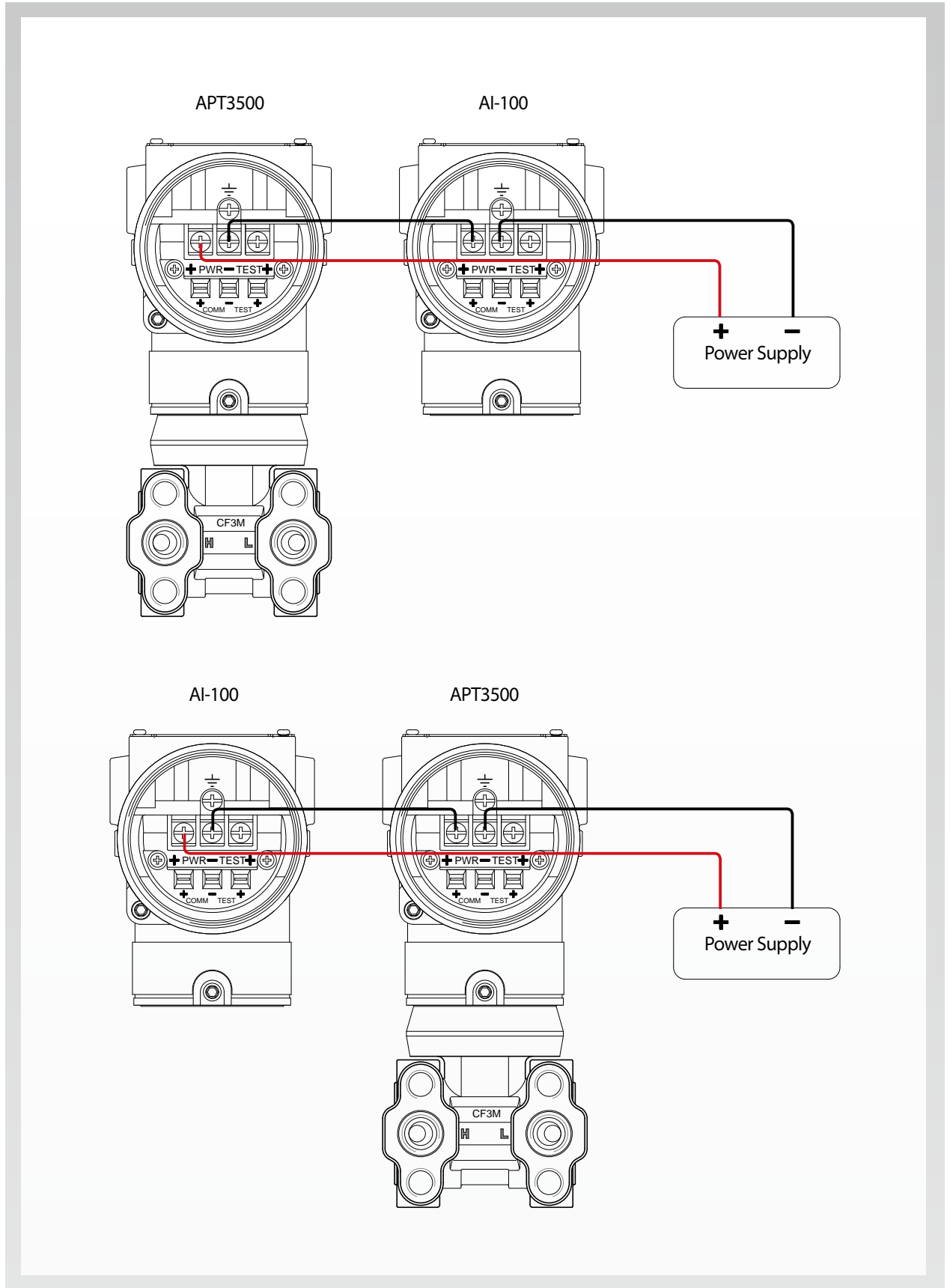
To finish inputting, press 'zero+span', then choose SAVE or CANCEL and go back to previous menu.

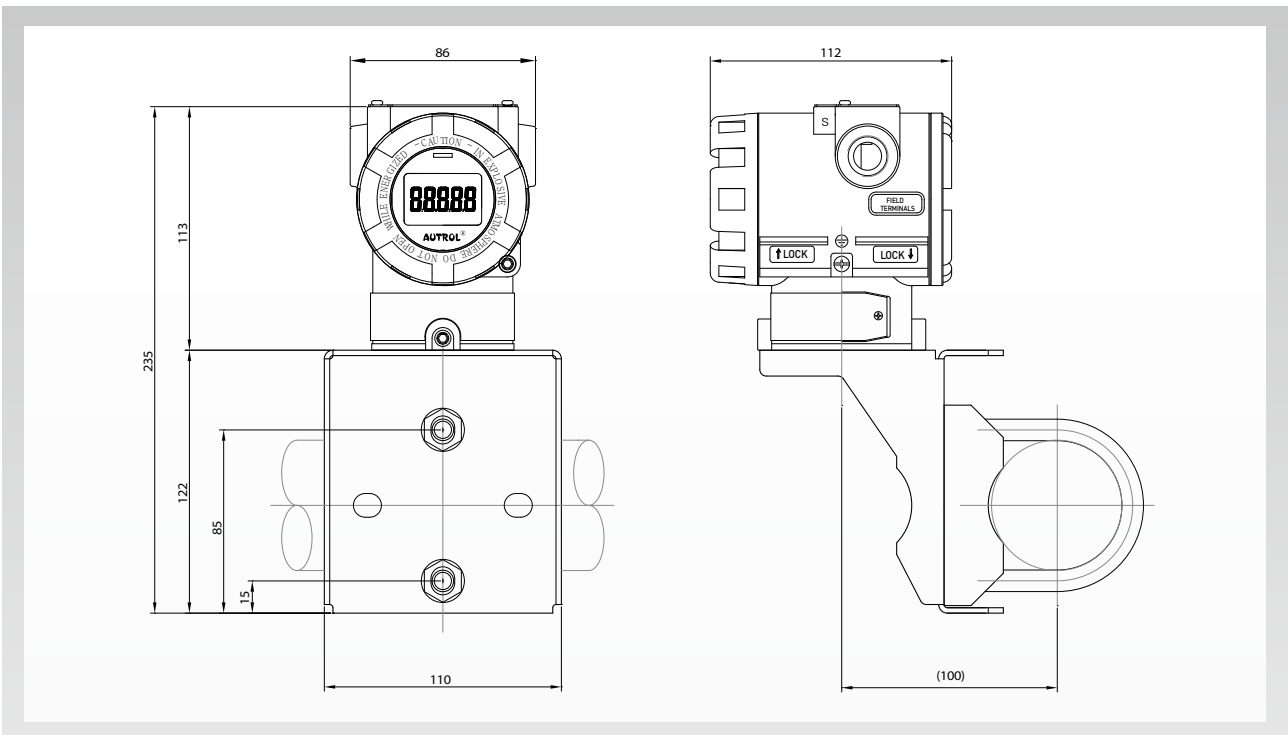
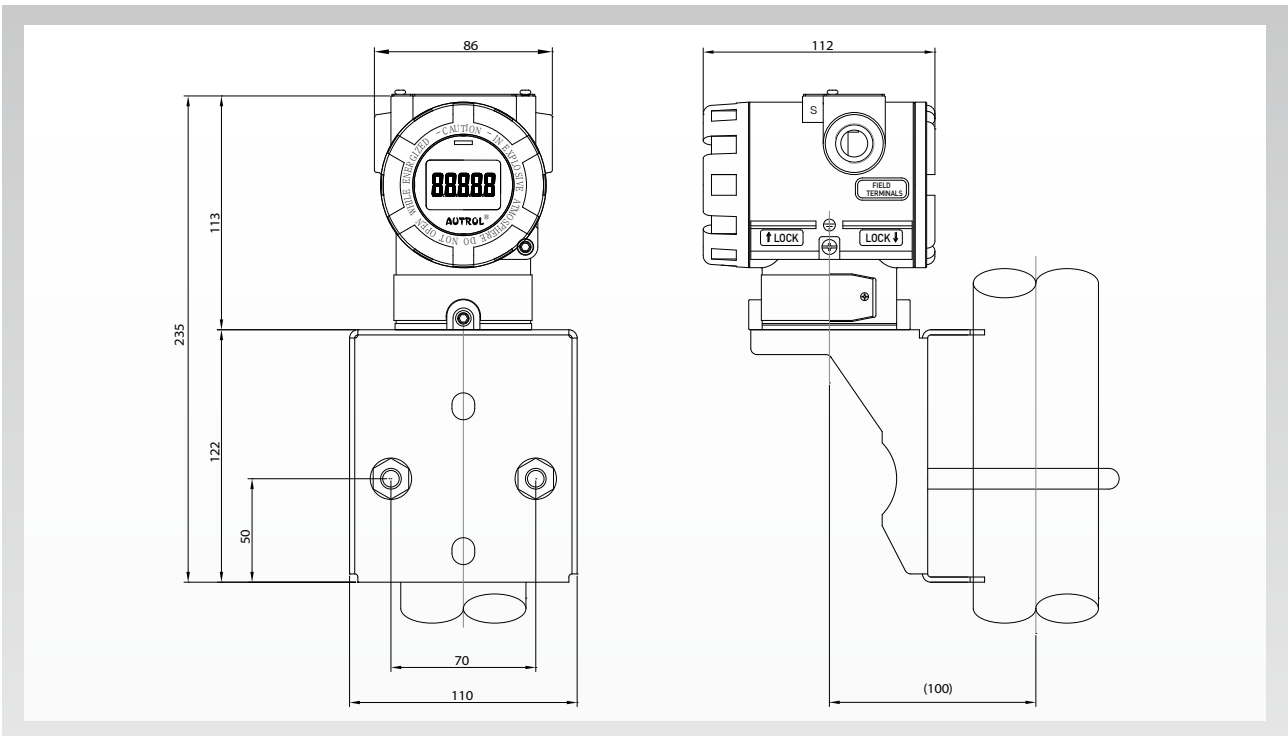
A flickering digit will move to the right after pressing 'Zero+Span'.

To finish Configuration Digit setting, selecting 'SAVE' or 'CANCEL' after pressing 'Zero & Span' button at the same time.

And then go back to previous menu.

Electrical Connections





Customer Service and Support



TEKMATION LLC reserves the right to change the designs and/or materials of its products without notice. The contents of this publication are the property of TEKMATON and cannot be reproduced by any other party without written permission. All rights reserved. Copyright © 2016 TEKMATON LLC
DOC # AUTROL/MR/181228/AP13100/A
TEKMATION LLC



www.autroltransmitters.com

Autrol is a fully owned subsidiary of TEKMATON LLC. We offer our customers a comprehensive range of products and solutions for process, power, and oil and gas industries. Autrol provides process measurement and control products for Flow, Level, Temperature and Pressure measurement, Control valves and Analyzer systems. We are present in 15 locations globally and are known for our knowledge, innovative solutions, reliable products, and global presence.

Autrol Corporation Of America

796 Tek Drive, Crystal Lake, IL 60014, USA

Tel: +1 847-857-6062, +1 847-779-5000 Fax: +1 847-655-6062

Email: info@autroltransmitters.com

www.autroltransmitters.com